

# Assembly Instructions

## EDGER

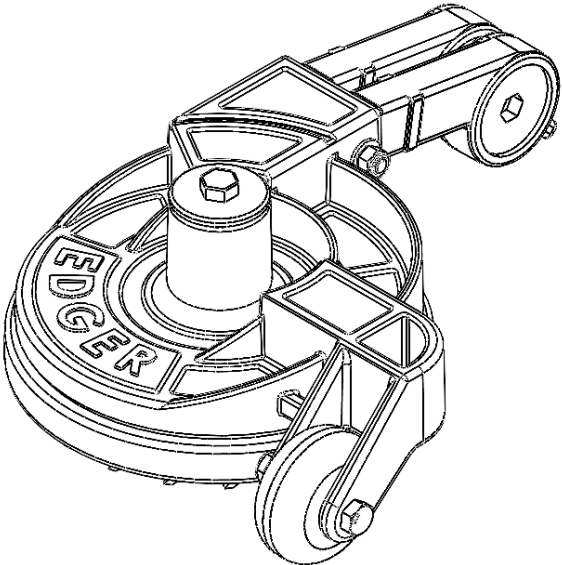
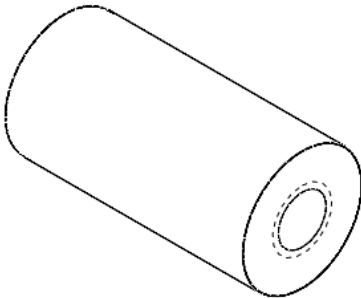


**Bluestreakequipment** MAGNETICS  
APPLICATION DRIVEN DESIGN

Bluestreak Equipment  
1645 Hwy #3, Delhi, Ontario, Canada N4B 2W6

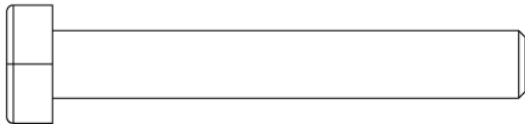
# What's in the box - Parts

(A) Edger Flip Stopper – 1 pc      (B) Edger Sweeper – 1 pc

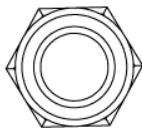


# What's in the box - Fasteners

(C) 1/4" x 1" Hex Bolt – 1 pc    (E) 1/4" x 1 3/4" Hex Bolt – 1 pc

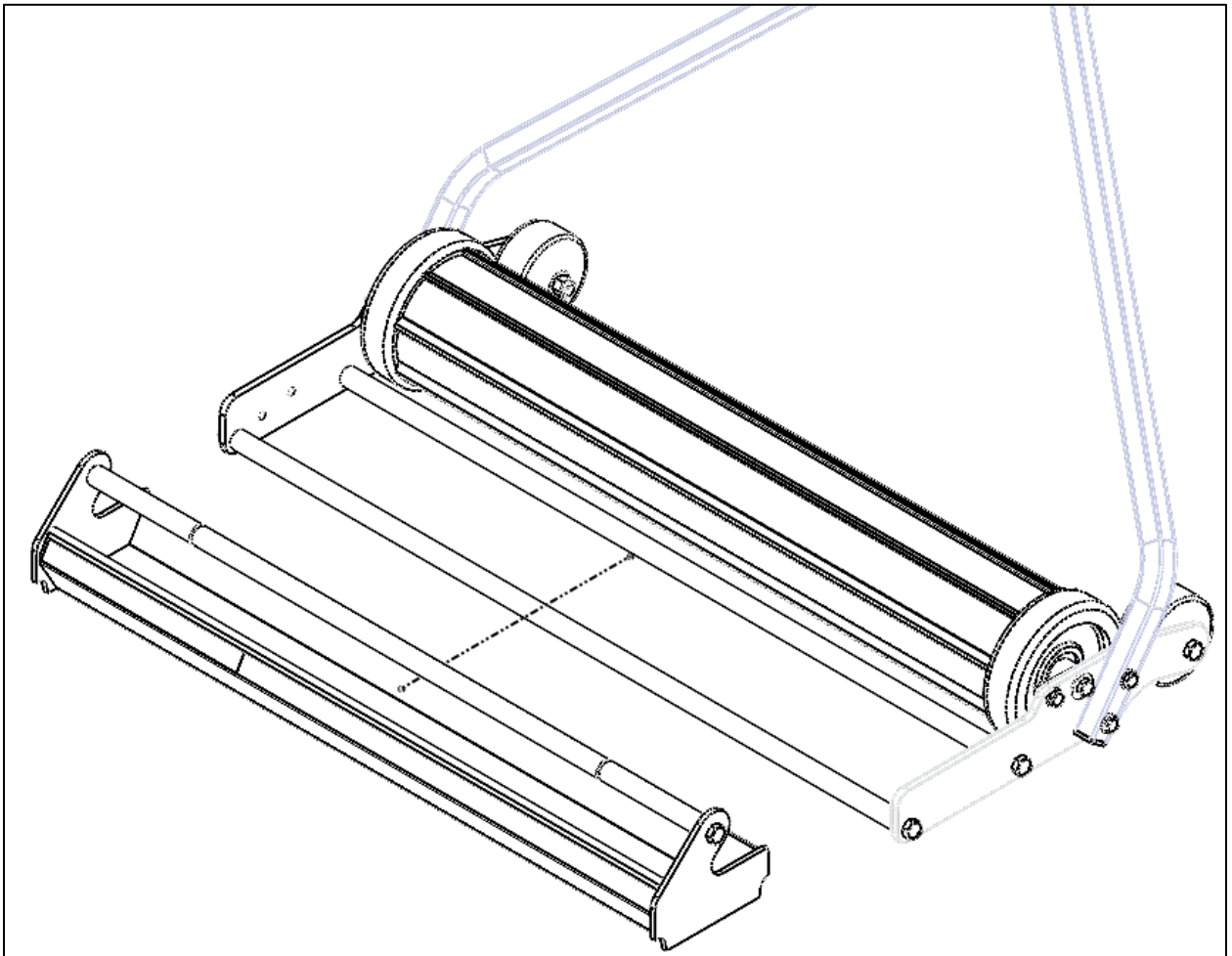


(D) 1/4" Nyloc Nut – 1 pc

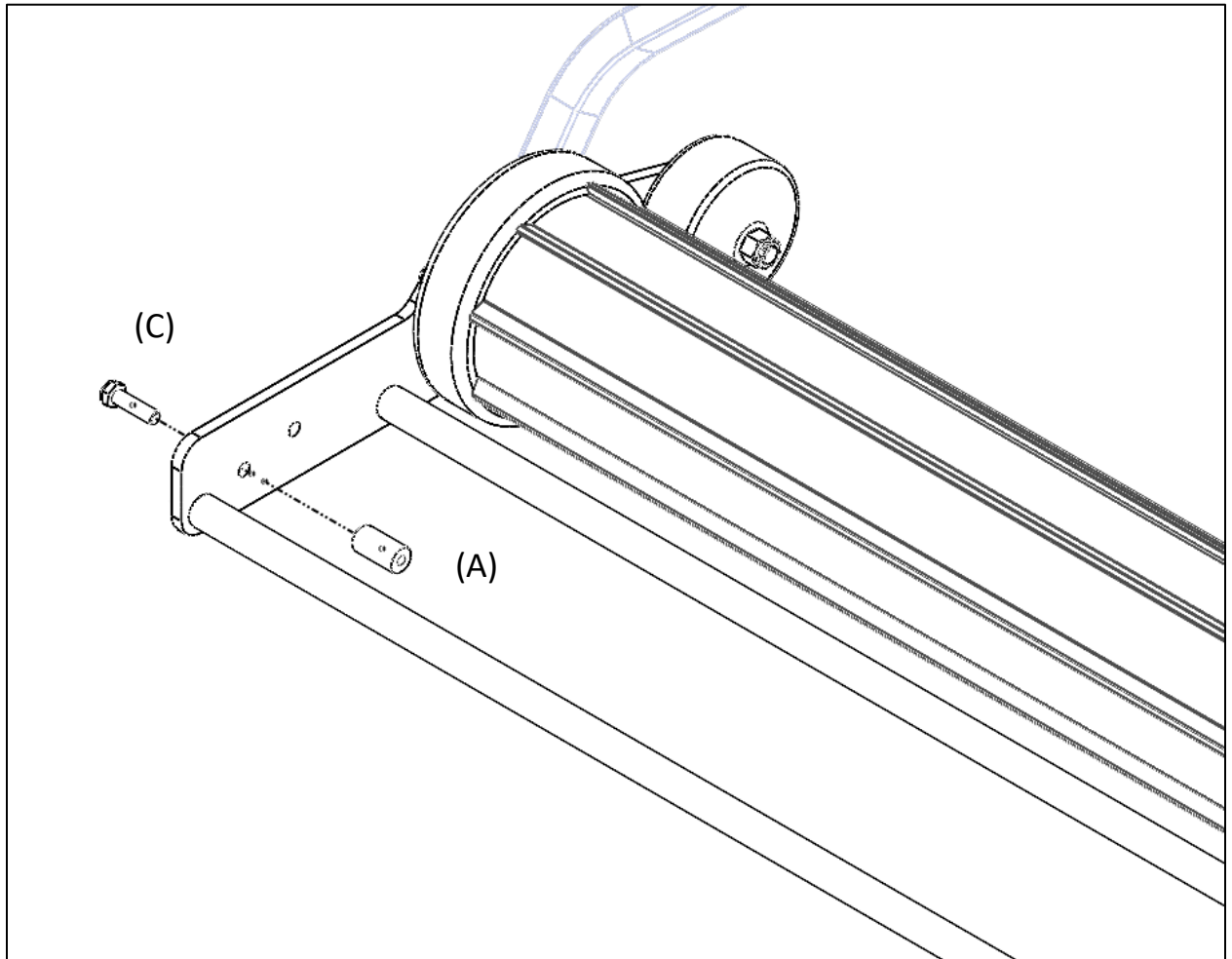


# Before Assembly

Remove the bin from the Fusion or Theta sweeper for easier access.



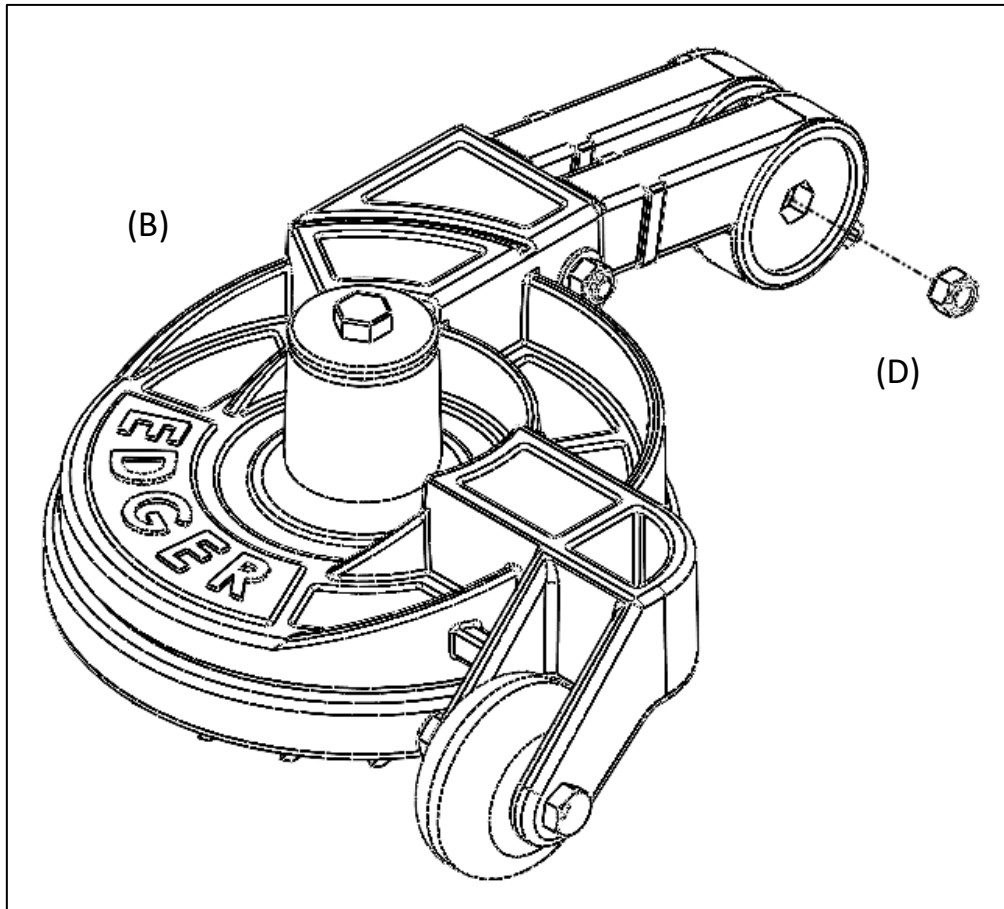
# Step 1. Attach Flip Stopper



## (1) Attach Flip Stopper

- a. Attach the flip stopper (Item A) to the Fusion or Theta right hand end plate at the front hole using 1 pc 1/4" x 1" Hex Bolt (Item C).

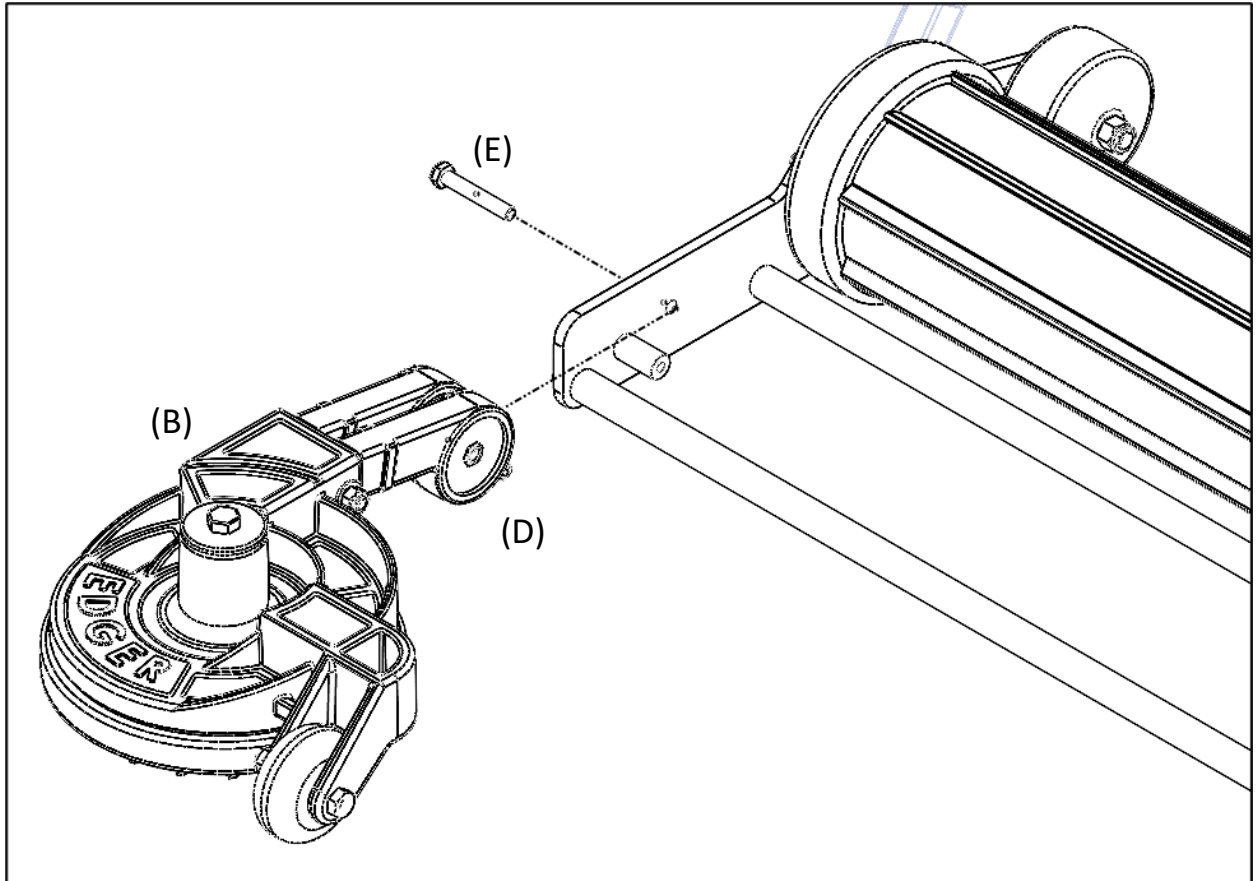
## Step 2. Insert Nut into Mounting Arm



### (1) Insert Nut into Mounting Arm

- a. Insert 1/4" Nyloc Nut (Item D) into the slot on the inner mounting arm on the Edger (Item B).

## Step 3. Attach Edger to Sweeper



### (1) Attach Edger to Sweeper

- a. Slide the Edger (Item B) onto the right-hand end plate on the main sweeper (Fusion or Theta), with the end plate clamped in between 2 arms. Align the second hole on the end plate with the hole on the arms.
- b. Bolt the Edger onto the main sweeper (Fusion or Theta) using 1 pc 1/4" x 1 3/4" Hex Bolt (Item E). Adjust the tightness of the bolt so that the arms are clamped steadily, while the sweeper still can be flipped up easily.

# After Assembly

Place the debris bin back onto the Fusion or Theta.

